

Our unique, registered laminate clamps **CLICK** and **SECURITAS** are high-quality clamps made from an extruded forgeable aluminium alloy with integrated bearing area seal. The elastic sealing insert made of UV-resistant rubber delivers the best possible permitted force-fit clamping.

CLICK LAMINATE CLAMP

The convenient clip connection of the laminate clamp CLICK guarantees a durable, high-quality assembly of laminate modules. The laminate clamp CLICK is delivered fully assembled (screw secured with O-ring included, if necessary).

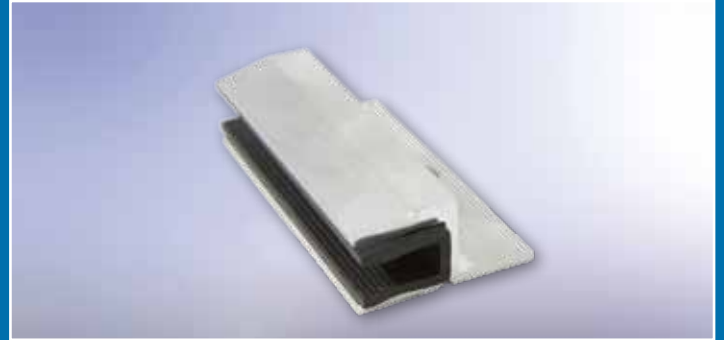
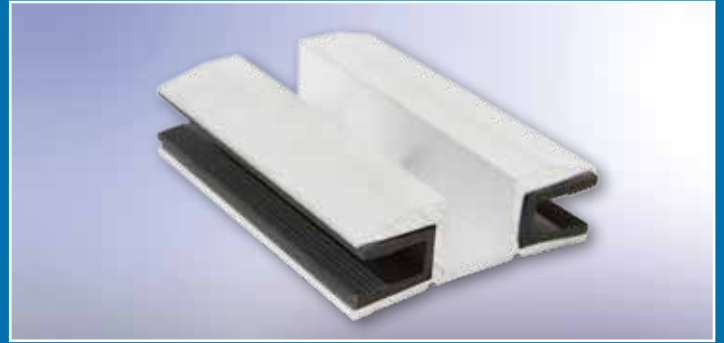
Upon request our laminate clamp CLICK can also be delivered in E6/C35 (black) anodised. Approved for: First Solar, Calyxo, Q-Cells, Solibro, Abound Solar and Sulfurcell

SECURITAS LAMINATE CLAMP

The one-piece, optimally constructed laminate clamp SECURITAS makes assembly easier and saves time and money. The raised profile section features set bending points in the bearing area and guarantees a perfectly positive fit between clamp and laminate module when the M8 Allen head screw is tightened. The laminate clamp SECURITAS thus offers excellent functional reliability when compared with other anchoring clips. Approved for: First Solar und Calyxo



OPTIMALLY DESIGNED, HIGH-QUALITY LAMINATE CLAMPS

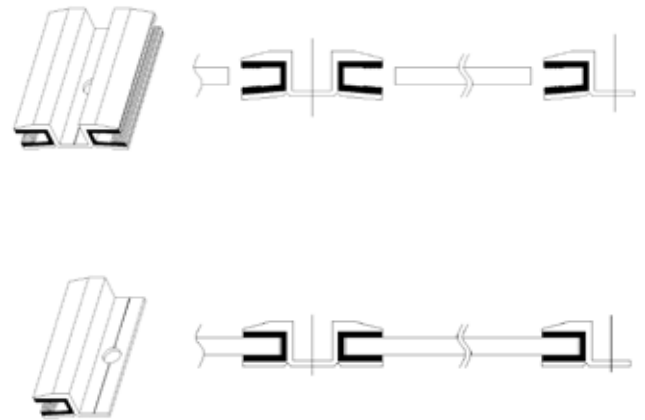
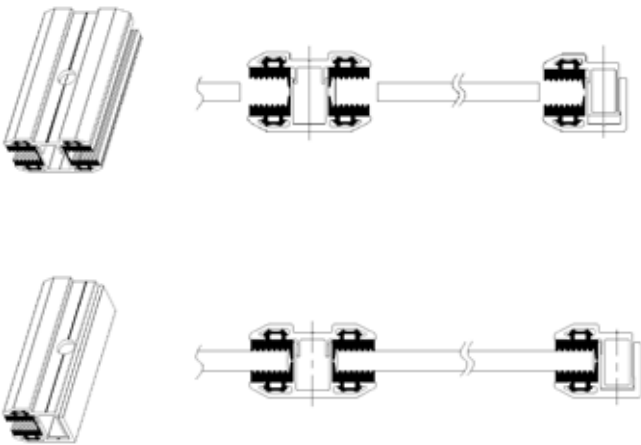


Laminate Clamp **CLICK**

Laminate Clamp **SECURITAS**

CLICK System

SECURITAS System



Scheme open and closed

Scheme open and closed

Laminate Clamps certified for:

